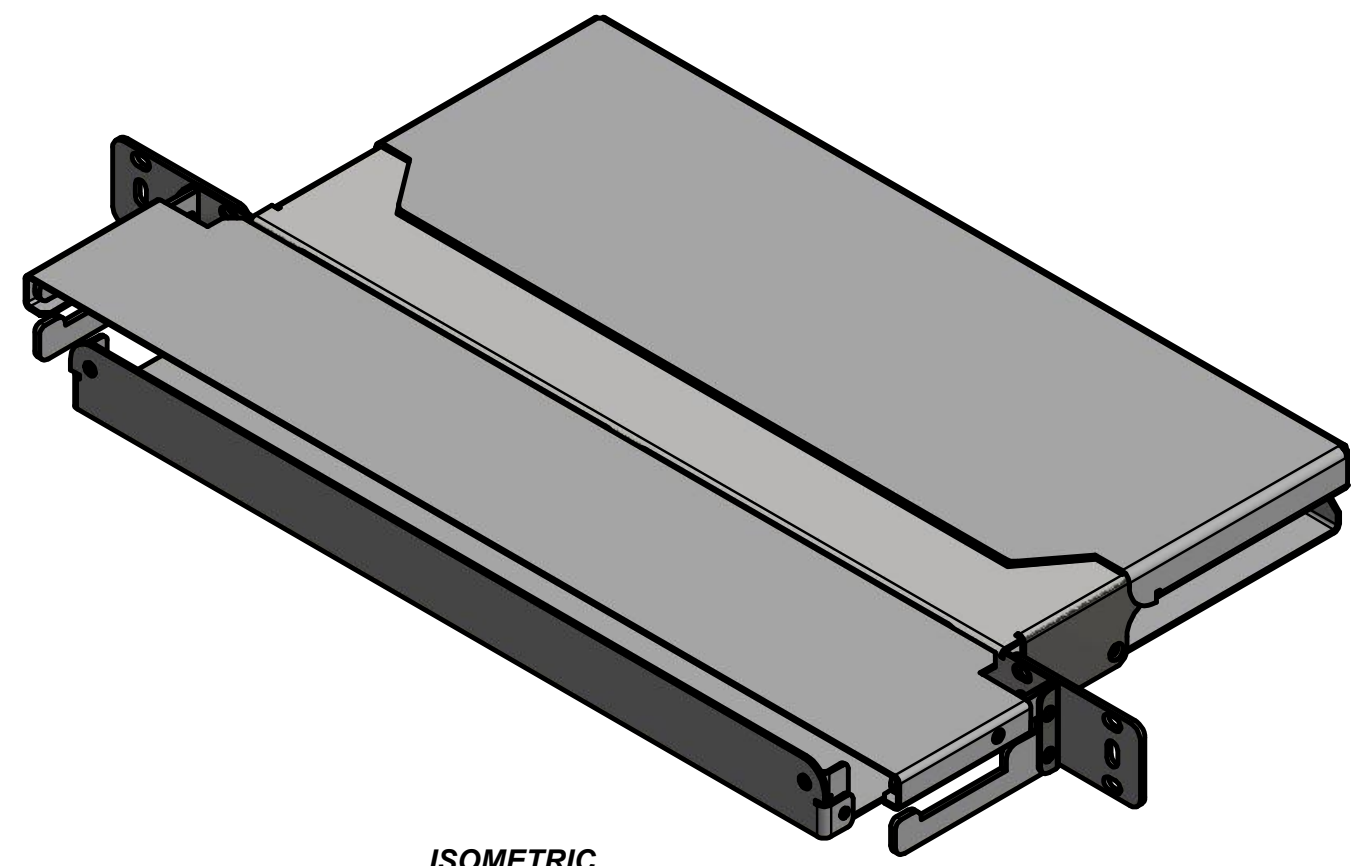
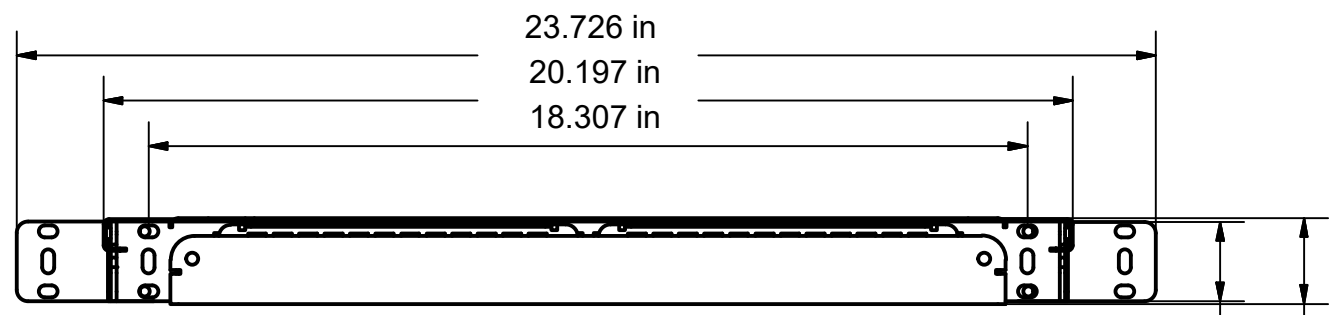


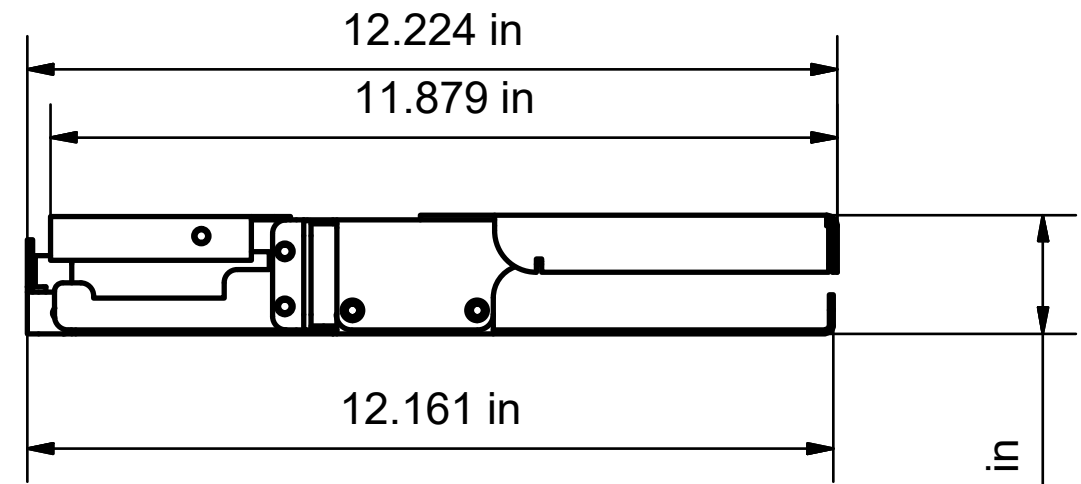
**TOP VIEW**



**ISOMETRIC**



**FRONT VIEW**



**SIDE VIEW**

MATERIAL: 16g STEEL  
FINISH: POWDER COATING -BLACK

Notes:  
AVAILABLE WITH 48SC OR 96LC ADAPTER PANELS.  
MOUNTS IN ANY STANDARD 19/23 INCH RACK OR ENCLOSURE.

**HIGH DENSITY  
1RU FIBER  
DISTRIBUTION PANEL**

