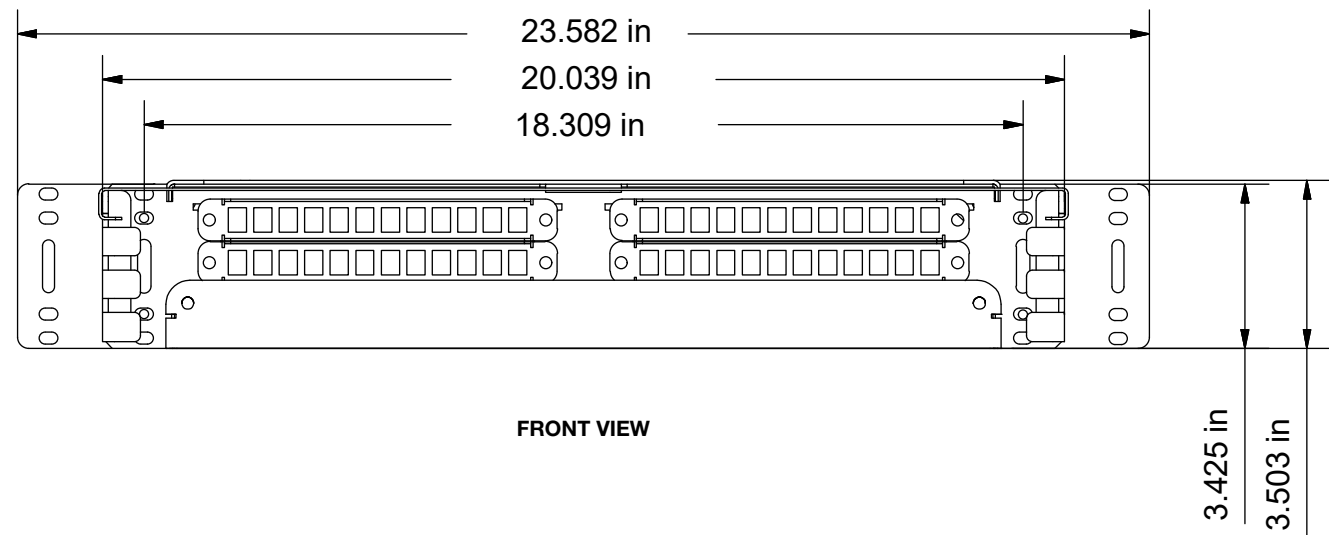
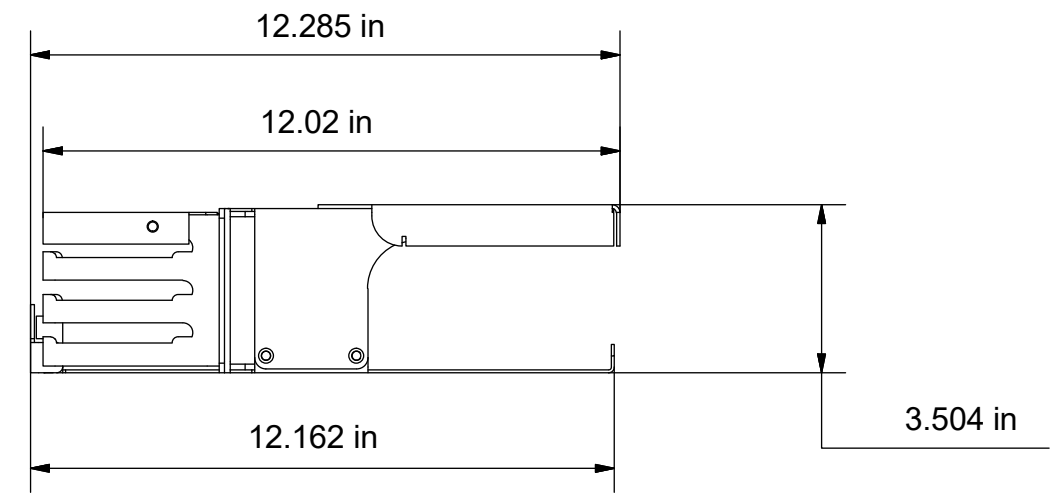
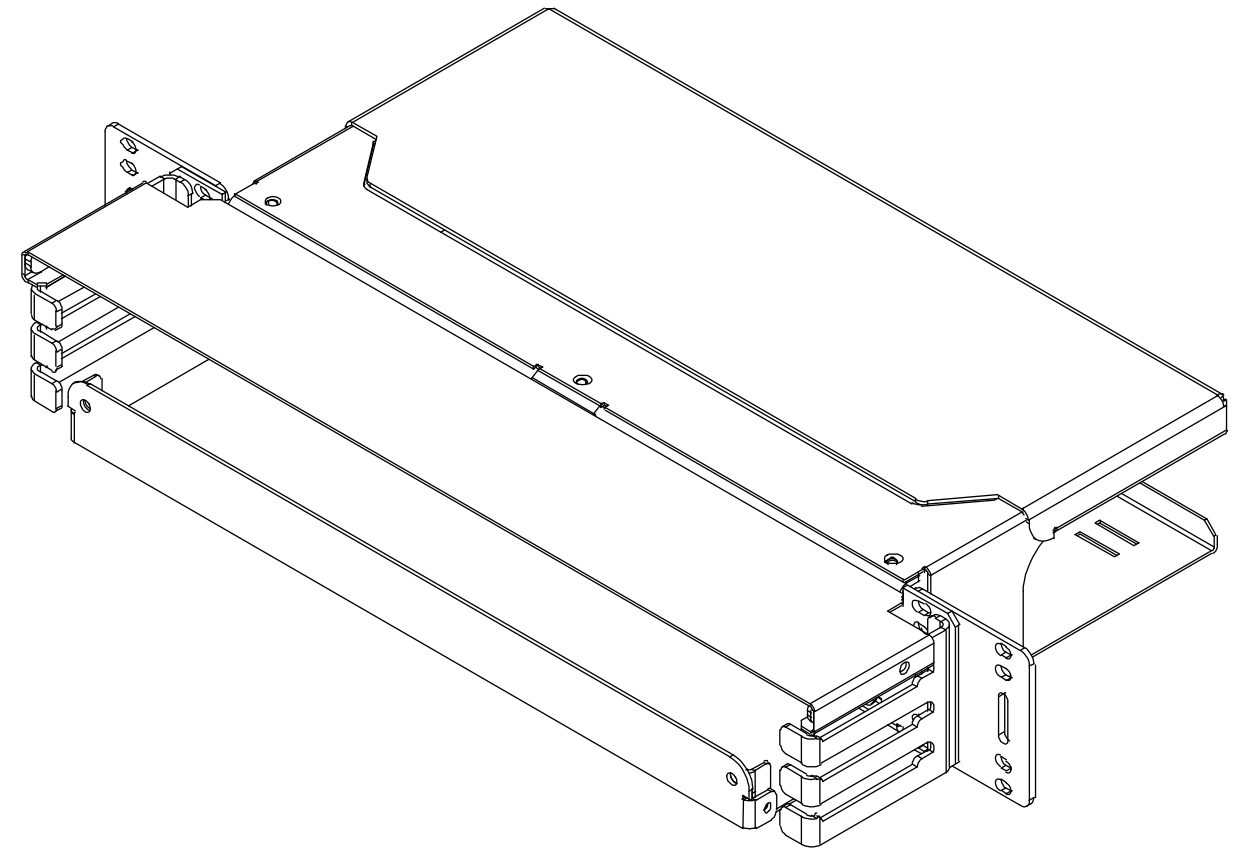


TOP VIEW



FRONT VIEW



SIDE VIEW

MATERIAL:	16 GAUGE STEEL
FINISH:	BLACK POWDER COATING

NOTES: AVAILABLE WITH 48SC OR 96LC ADAPTER PANELS
MOUNTS IN ANY STANDARD 19/23 INCH RACK
OR ENCLOSURE

HIGH DENSITY 2RU FIBER DISTRIBUTION PANEL

